



# Floor Marking Application Ideas

471 • 5700 • 5702

Technical Bulletin

April, 2003

---

## Surface Preparation

1. Surfaces to be marked with 3M™ Vinyl Tape 471 and 3M™ Safety Strip Tapes 5700 and 5702 should be as clean, dry and smooth as possible. Floors may require cleaning to remove all traces of oils, grease, moisture, and any accumulation of waxes, coatings, finishes as well as dust, dirt and other grime.
2. Cleaning solutions should be chosen that do not leave residues or waxes on the surface to which the tape is to be applied. Always allow sufficient time for thorough drying of the cleaning solution prior to application of the tape.
3. Rough areas may need sandblasting, scraping, sanding or grinding to help ensure maximum contact of the tape to the application's surface. Any dust, particulates or contamination must be removed prior to applying the tape.
4. Freshly sealed surfaces, including, but not limited to, concrete, varnished or waxed floors should be allowed to dry thoroughly prior to application of the tape.

**Note:** Be sure to follow manufacturer's precautions and directions for use when using cleaning solutions or sealers. Wear appropriate personal protective equipment when sandblasting, scraping, sanding or grinding.

---

## Application Procedures

**Note:** It is strongly recommended that 3M tapes 471, 5700 and 5702 be tested on the actual surface in an inconspicuous area prior to use in the intended application to determine compatibility with flooring.

1. After completing the surface preparation process 3M tapes 471, 5700 and 5702 can then be applied to the surface of the intended application. Optimal adhesion is obtained when both the tape and intended surface are within a temperature range of 60° to 80°F (16° to 27°C).
2. When applying the tape in long straight lines and for all but the tightest curves, use of the 3M™ Floor Marking Applicator M-77 is recommended. Prior to applying the tape, a chalk line may be used as a guide line for the 3M M-77 applicator (see figures #1 and #2). For curved lines, apply the tape along the outside of the guide line (see figure #2) and proceed slowly around the arc of the curve.

# Floor Marking Application Ideas

471 • 5700 • 5702

## Application Procedures (continued)

3. Tight curves that are applied by hand require the inside edge of the tape to be placed along the arc of the curve first, followed by smoothing-out the remaining width of the tape afterwards. Extra time and care is required to help prevent lifting as well as stretching of the tape.
4. Once the tape has been applied, a weighted roller or a tape wiper is recommended to help fully adhere the adhesive of the tape to the application surface.
5. Where overlap joints are required, such as at corners and splices, the overlap should be at least 2" (50.8 mm) long or the full width of the tape (see figure #3). For butt joints, both ends of the tape must be firmly rubbed down to help prevent lifting (see figure #4).
6. Where traffic will cross the taped lines the tape should either be bracketed (see figure #5) or the area should have the tape cut width-wise every 4 to 6 inches (100 to 150 mm) in length to help prevent long sections of the tape from being lifted or removed (see figure #6). If damage should occur this cutting technique will facilitate the removal and repair of damaged sections.

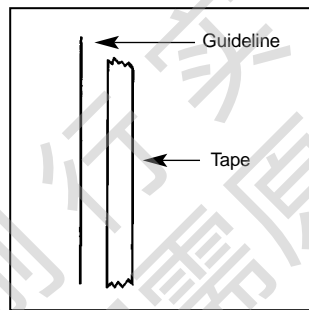


Figure 1

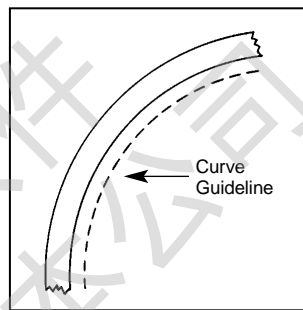


Figure 2

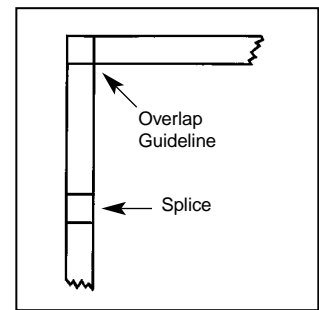


Figure 3

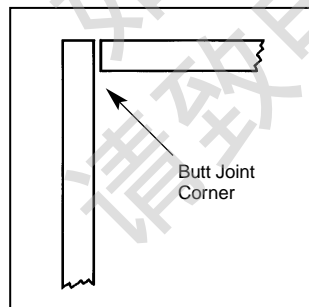


Figure 4

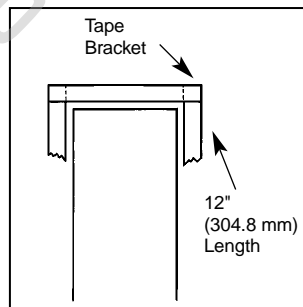


Figure 5

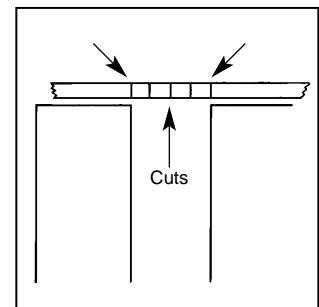


Figure 6

# Floor Marking Application Ideas

471 • 5700 • 5702

---

## Floor Finishing

**Note:** Before using any floor finishing product with 3M™ Vinyl Tape 471 and 3M™ Safety Strip Tapes 5700 and 5702, it is strongly recommended that the floor finishing product be tested to determine compatibility with the tape in an inconspicuous location before use in the intended application.

1. Many floor finishing products, such as waxes, varnishes, paints and lacquers, contain solvents which will affect the stability of the 3M tapes 471, 5700 and 5702. Solvents known to affect these tapes include, but are not limited to, toluene or toluol, xylenes or xylol, ketones, chlorinated hydrocarbons as well as esters found in lacquer thinners, degreasers, paint strippers and mineral spirits.\*
2. When using a solvent-based floor finishing product, it is recommended that a very thin “kiss coat” be applied over 3M tapes 471, 5700 and 5702, to help minimize any lifting of the tape from the application surface. This “kiss coat” should be allowed to thoroughly dry prior to sealing the remainder of the floor (several thin coats may be needed to help minimize any damage to the tape).
3. When using a water-based floor finishing product with 3M tapes 471, 5700 and 5702, it is recommended that an abrasive pad such as 3M™ Scotch-Brite™ abrasive pad be rubbed along the length of the tape to roughen the surface in order to help minimize potential anchorage or flaking problems. As with the solvent-based sealers, it is also recommended that a “kiss coat” be applied over these tapes to help minimize any swelling or lifting of the tape from the application surface. This “kiss coat” should be allowed to thoroughly dry prior to sealing the remainder of the floor.

\*Be sure to follow the manufacturer’s precautions and directions for use when using finishing products.

---

## Removal Techniques

1. To help minimize damage to the surface that 3M tapes 471, 5700 and 5702 have been applied to, it is recommended that the tape be lifted gently at a corner then pulled-up at a perpendicular angle. Use of warm heat (e.g., use of a heat gun) applied evenly to the tape backing surface while removing may also help.  
**Note:** Over heating may damage the underlying surface or finish.

2. Adhesive residues may be softened by use of many common solvents such as heptane, toluene or methyl ethyl ketone or 3M™ Citrus Based Cleaner.\*

\*Be sure to follow the manufacturer’s precautions and directions for use when using solvents. Prior to using any solvent to help remove adhesive residues, it is strongly recommended that the solvent be tested to determine compatibility in an inconspicuous location with the underlying surface finish.

# Floor Marking Application Ideas

471 • 5700 • 5702

---

## For Additional Information

To request additional product information or to arrange for sales assistance, call toll free 1-800-362-3550 or visit [www.3M.com/adhesives](http://www.3M.com/adhesives). Address correspondence to: 3M Industrial Adhesives and Tapes Division, Building 21-1W-10, 900 Bush Avenue, St. Paul, MN 55144-1000. Our fax number is 651-778-4244. In Canada, phone: 1-800-364-3577. In Puerto Rico, phone: 1-787-750-3000. In Mexico, phone: 52-70-04-00.

---

## Product Use

All statements, technical information and recommendations contained in this document are based upon tests or experience that 3M believes are reliable. However, many factors beyond 3M's control can affect the use and performance of a 3M product in a particular application, including the conditions under which the product is used and the time and environmental conditions in which the product is expected to perform. Since these factors are uniquely within the user's knowledge and control, it is essential that the user evaluate the 3M product to determine whether it is fit for a particular purpose and suitable for the user's method of application.

---

## Warranty and Limited Remedy

Unless stated otherwise in 3M's product literature, packaging inserts or product packaging for individual products, 3M warrants that each 3M product meets the applicable specifications at the time 3M ships the product. Individual products may have additional or different warranties as stated on product literature, package inserts or product packages. 3M MAKES NO OTHER WARRANTIES, EXPRESS OR IMPLIED, INCLUDING, BUT NOT LIMITED TO, ANY IMPLIED WARRANTY OF MERCHANTABILITY OR FITNESS FOR A PARTICULAR PURPOSE OR ANY IMPLIED WARRANTY ARISING OUT OF A COURSE OF DEALING, CUSTOM OR USAGE OF TRADE. User is responsible for determining whether the 3M product is fit for a particular purpose and suitable for user's application. If the 3M product is defective within the warranty period, your exclusive remedy and 3M's and seller's sole obligation will be, at 3M's option, to replace the product or refund the purchase price.

---

## Limitation of Liability

Except where prohibited by law, 3M and seller will not be liable for any loss or damage arising from the 3M product, whether direct, indirect, special, incidental or consequential, regardless of the legal theory asserted, including warranty, contract, negligence or strict liability.

**ISO 9002**

This Industrial Adhesives and Tapes Division product was manufactured under a 3M quality system registered to ISO 9002 standards.

**3M**

Industrial Business  
Industrial Adhesives and Tapes Division

3M Center, Building 21-1W-10, 900 Bush Avenue  
St. Paul, MN 55144-1000



Recycled Paper  
40% pre-consumer  
10% post-consumer

Printed in U.S.A.  
©3M 2003 70-0709-4931-1 (4/03)